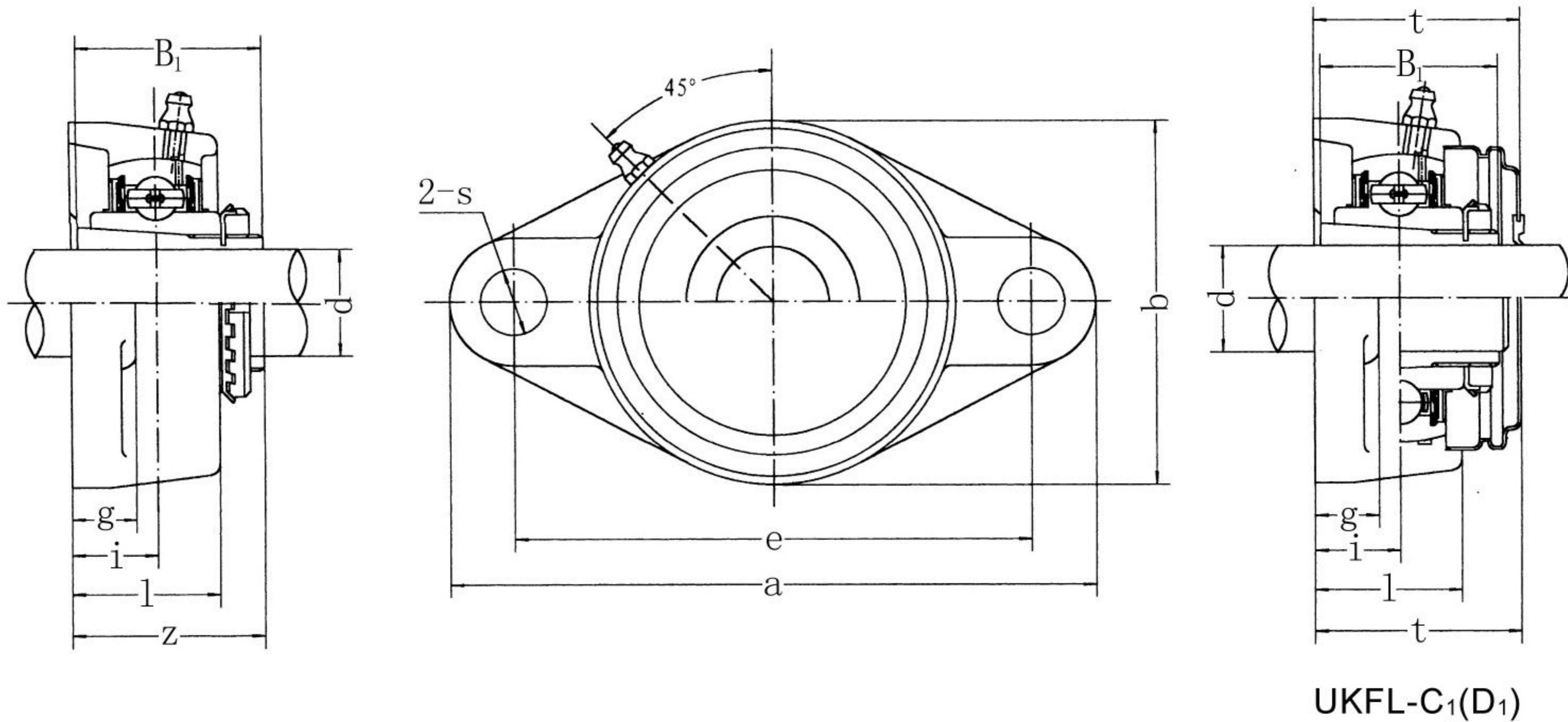


# Flange Units (Oval)

(with adapter mounted)

UKFL2 (Normal-duty)



Unit No.	Dimensions											Bolt Size mm inch	Bearing No.	Housing No.	Weight (kg)
	d	a	e	i	g	l	s	b	z	t	B <sub>1</sub>				
UKFL205;H2305	20	130	99	16	13	27	16	68	35.5	40	35	M14	UK205;H2305	FL205	0.63
UKFL205;HE2305	3/4	5-1/8	3-57/64	5/8	1/2	1-1/16	5/8	2-11/16	1-25/64	1-9/16	1.378	1/2	UK205;HE2305		
UKFL206;H2306	25	148	117	18	13	31	16	80	39	44.5	38	M14	UK206;H2306	FL206	0.90
UKFL206;HS2306	7/8	5-13/16	4-39/64	45/64	1/2	1-7/32	5/8	3-5/32	1-17/32	1-3/4	1.496	1/2	UK206;HS2306		
UKFL206;HE2306	1												UK206;HE2306		
UKFL207;H2307	30	161	130	19	14	34	16	90	42.5	48.5	43	M14	UK207;H2307	FL207	1.17
UKFL207;HS2307	1-1/8	6-11/32	5-1/8	3/4	35/64	1-11/32	5/8	3-35/64	1-43/64	1-29/32	1.693	1/2	UK207;HS2307		
UKFL208;H2308	35	175	144	21	14	36	16	100	46.5	55.5	46	M14	UK208;H2308	FL208	1.54
UKFL208;HE2308	1-1/4	6-7/8	5-43/64	53/64	35/64	1-13/32	5/8	3-15/16	1-53/64	2-3/16	1.811	1/2	UK208;HE2308		
UKFL208;HS2308	1-3/8												UK208;HS2308		
UKFL209;H2309	40	188	148	22	15	38	19	108	48.5	56.5	50	M16	UK209;H2309	FL209	1.89
UKFL209;HA2309	1-7/16												UK209;HA2309		
UKFL209;HE2309	1-1/2	7-13/32	5-53/64	55/64	19/32	1-1/2	3/4	4-1/4	1-29/32	2-7/32	1.969	5/8	UK209;HE2309		
UKFL209;HS2309	1-5/8												UK209;HS2309		
UKFL210;H2310	45	197	157	22	15	40	19	115	50	59.5	55	M16	UK210;H2310	FL210	2.27
UKFL210;HS2310	1-5/8												UK210;HS2310		
UKFL210;HA2310	1-11/16	7-3/4	6-3/16	55/64	19/32	1-37/64	3/4	4-17/32	1-31/32	2-11/32	2.165	5/8	UK210;HA2310		
UKFL210;HE2310	1-3/4												UK210;HE2310		
UKFL211;H2311	50	224	184	25	18	43	19	130	54.5	63	59	M16	UK211;H2311	FL211	3.06
UKFL211;HS2311	1-7/8												UK211;HS2311		
UKFL211;HA2311	1-15/16	8-13/16	7-1/4	63/64	23/32	1-11/16	3/4	5-1/8	2-9/64	2-15/32	2.323	5/8	UK211;HA2311		
UKFL211;HE2311	2												UK211;HE2311		
UKFL212;H2312	55	250	202	29	18	48	23	140	61	73.5	62	M20	UK212;H2312	FL212	3.79
UKFL212;HS2312	2-1/8	9-27/32	7-61/64	1-9/64	23/32	1-7/8	29/32	5-1/2	2-13/32	2-57/64	2.441	3/4	UK212;HS2312		
UKFL213;H2313	60	258	210	30	22	50	23	155	64	74.5	65	M20	UK213;H2313	FL213	4.48
UKFL213;HA2313	2-3/16												UK213;HA2313		
UKFL213;HE2313	2-1/4	10-5/32	8-17/64	1-3/16	7/8	1-31/32	29/32	6-3/32	2-33/64	2-15/16	2.559	3/4	UK213;HE2313		
UKFL213;HS2313	2-3/8												UK213;HS2313		
UKFL215;H2315	65	275	225	34	22	56	23	165	71		73	M20	UK215;H2315	FL215	5.48
UKFL215;HA2315	2-7/16	10-13/16	8-55/64	1-11/32	7/8	2-7/32	29/32	6-1/2	2-51/64		2.874	3/4	UK215;HA2315		
UKFL215;HE2315	2-1/2												UK215;HE2315		
UKFL216;H2316	70	290	233	34	22	58	25	180	73.5		78	M22	UK216;H2316	FL216	7.46
UKFL216;HA2316	2-11/16	11-13/32	9-11/64	1-11/32	7/8	2-9/32	63/64	7-3/32	2-57/64		3.071	7/8	UK216;HA2316		
UKFL216;HE2316	2-3/4												UK216;HE2316		
UKFL217;H2317	75	305	248	36	24	63	25	190	77		82	M22	UK217;H2317	FL217	9.03
UKFL217;HA2317	2-15/16	12	9-49/64	1-27/64	15/16	2-15/32	63/64	7-15/32	3-1/32		3.228	7/8	UK217;HA2317		
UKFL217;HE2317	3												UK217;HE2317		
UKFL218;H2318	80	320	265	40	24	68	25	205	81.5		86	M22	UK218;H2318	FL218	10.89
UKFL218;HA2318	3-3/16	12-19/32	10-7/16	1-37/64	15/16	2-11/16	63/64	8-1/16	3-13/64		3.386	7/8	UK218;HA2318		